

PAINT COLORS:



BASE:

GLIDDEN: X
(XXYY XX/XXX)



TRIM:

GLIDDEN: X
(XXYY XX/XXX)



DETAILS:

GLIDDEN: X
(XXYY XX/XXX)



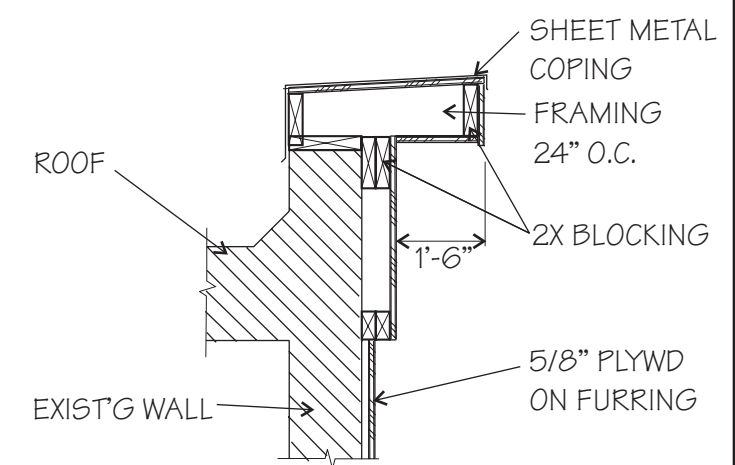
PROPOSED ELEVATION



SIGN



EXISTING CONDITIONS



CORNICE DETAIL
NTS

NOTE: The Illinois MAIN STREET Program, through the Illinois Historic Preservation Agency, has provided this free design assistance to qualified property/ business owners in the officially designated MAIN STREET project areas. The rendering on this sheet is a conceptual view of the facade renovation based on information supplied to the staff architect. Should obscured architectural details or problems be revealed during the work, the local project manager and/or the staff architect should be consulted.



ILLINOIS MAIN STREET

OFFICE OF LIEUTENANT GOVERNOR CORRINE WOOD
Architectural Services: Illinois Historic Preservation Agency
 1 Old State Capitol Plaza/Springfield, Illinois 62701/217-782-9336

ALDRIGE & OZBURN

INSURANCE AGENCY, 1331 WALNUT ST
 MURPHYSBORO, ILLINOIS

NORTH ELEVATION

Drawn By: JAJ	Project No.: 9853
Date: 7/99	Sheet: Of: 1 1