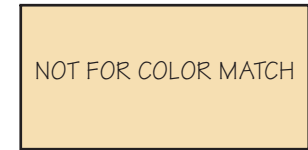
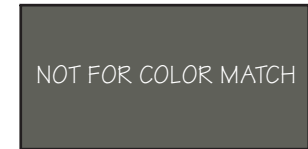


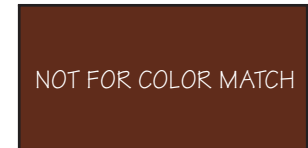
# PAINT COLORS:



TRIM:  
ICI PAINTS: GOLDEN TOWER  
(40YY 57/258)



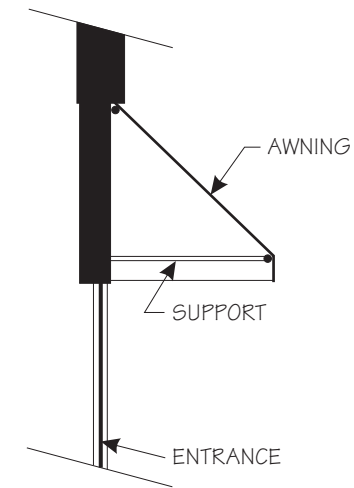
TRIM:  
ICI PAINTS: BUNKER HILL  
(50GY 10/068)



TRIM:  
ICI PAINTS: OLD REDWOOD  
(30YR 08/236)



PROPOSED DESIGN



AWNING SECTION



EXISTING CONDITION

NOTE: The Illinois MAIN STREET Program, through the Illinois Historic Preservation Agency, has provided this free design assistance to qualified property/ business owners in the officially designated MAIN STREET project areas. The rendering on this sheet is a conceptual view of the facade renovation based on information supplied to the staff architect. Should obscured architectural details or problems be revealed during the work, the local project manager and/or the staff architect should be consulted.



## ILLINOIS MAIN STREET

OFFICE OF LIEUTENANT GOVERNOR BOB KUSTRA  
Architectural Services: Illinois Historic Preservation Agency  
1 Old State Capitol Plaza/Springfield, Illinois 62701/217-782-7459

## BOWER BUILDING

115 WEST FRONT  
STOCKTON, ILLINOIS

## SOUTH ELEVATION

NOT TO SCALE

Drawn By:  
BSL

Project No.:  
9765

Date:  
5 - 98

Sheet: Of:  
1 1