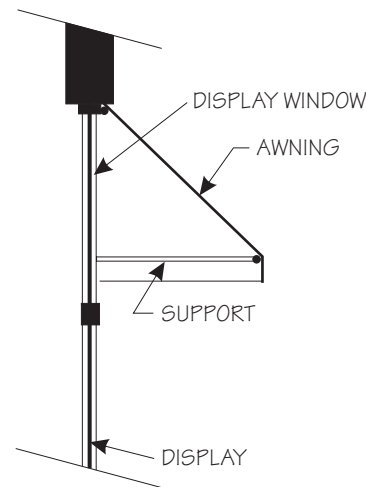


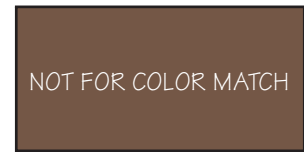


PROPOSED DESIGN



AWNING SECTION

PAINT COLORS:



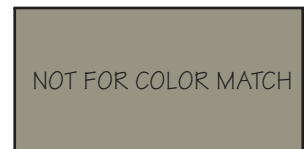
BASE:

ICI PAINTS: BLACK BURGUNDY (30YR 09/146)



TRIM:

ICI PAINTS: SWEETWOOD (90YR 26/147)



TRIM:

ICI PAINTS: MAIN STREET U.S.A. (30GY 30/100)



AWNING:

SUNBRELLA: SAGE TRANSITIONAL (4913)

NOTE: The Illinois MAIN STREET Program, through the Illinois Historic Preservation Agency, has provided this free design assistance to qualified property/ business owners in the officially designated MAIN STREET project areas. The rendering on this sheet is a conceptual view of the facade renovation based on information supplied to the staff architect. Should obscured architectural details or problems be revealed during the work, the local project manager and/or the staff architect should be consulted.



ILLINOIS MAIN STREET

OFFICE OF LIEUTENANT GOVERNOR BOB KUSTRA
Architectural Services: Illinois Historic Preservation Agency
 1 Old State Capitol Plaza/Springfield, Illinois 62701/217-782-7459

BRIODY ENTERPRISES

511 WEST MAIN STREET
 GENOA, ILLINOIS

SOUTH ELEVATION

NOT TO SCALE

Drawn By:
BSL

Project No.:
9839

Date:
9/98

Sheet: Of:
1 1