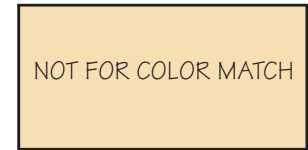


PROPOSED DESIGN



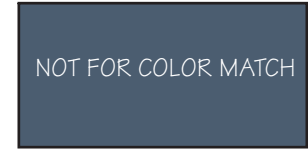
EXISTING CONDITION

PAINT COLORS:



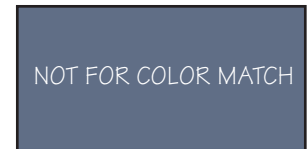
BASE:

GLIDDEN: GOLD KARAT  
(40YY 62/227)



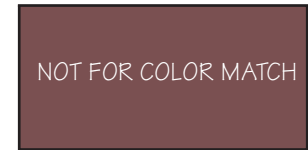
TRIM:

GLIDDEN: FEDERAL BLUE  
(50BB 08/129)



TRIM:

GLIDDEN: BLUE HERON  
(50BB 13/104)



TRIM:

GLIDDEN: CLARET  
(70RR 09/200)

NOTE: The Illinois MAIN STREET Program, through the Illinois Historic Preservation Agency, has provided this free design assistance to qualified property/ business owners in the officially designated MAIN STREET project areas. The rendering on this sheet is a conceptual view of the facade renovation based on information supplied to the staff architect. Should obscured architectural details or problems be revealed during the work, the local project manager and/or the staff architect should be consulted.



**ILLINOIS MAIN STREET**

OFFICE OF LIEUTENANT GOVERNOR CORINNE WOOD

Architectural Services: **Illinois Historic Preservation Agency**  
1 Old State Capitol Plaza/Springfield, Illinois 62701/217-782-9336

**KAREN'S KITCHEN & CATERING**

100 NORTH MAIN STREET  
STOCKTON, ILLINOIS

**SOUTH ELEVATION**

NOT TO SCALE

Drawn By:

BSL

Project No.:

9632

Date:

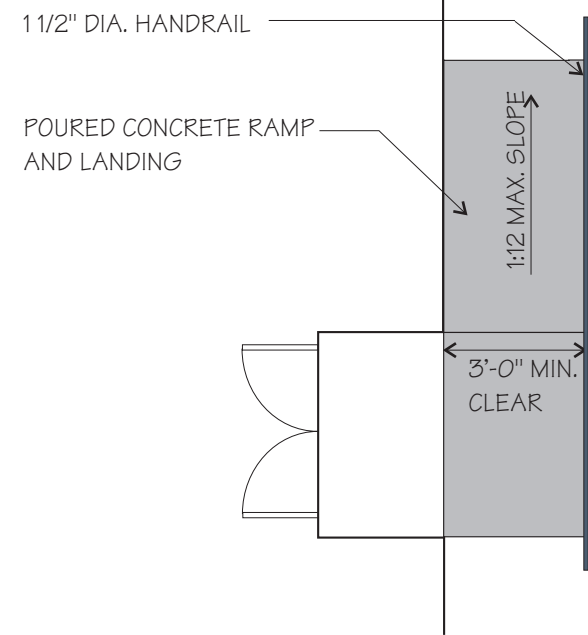
2 - 97

Sheet: Of:

1 2

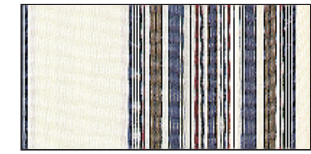


PROPOSED DESIGN



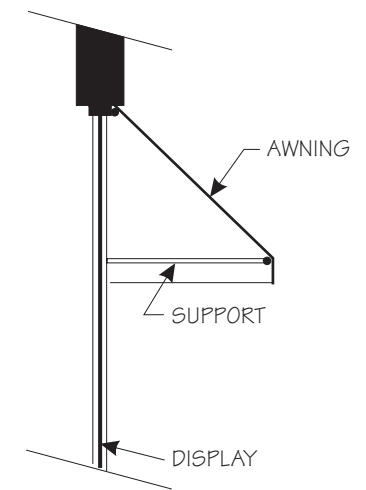
EAST ENTRANCE  
RAMP PLAN

AWNING:



SUNBRELLA: SAPPHIRE  
TRANSITIONAL (4906)

AWNING SECTION:



NOTE: The Illinois MAIN STREET Program, through the Illinois Historic Preservation Agency, has provided this free design assistance to qualified property/ business owners in the officially designated MAIN STREET project areas. The rendering on this sheet is a conceptual view of the facade renovation based on information supplied to the staff architect. Should obscured architectural details or problems be revealed during the work, the local project manager and/or the staff architect should be consulted.



**ILLINOIS MAIN STREET**

OFFICE OF LIEUTENANT GOVERNOR CORINNE WOOD

Architectural Services: **Illinois Historic Preservation Agency**  
1 Old State Capitol Plaza/Springfield, Illinois 62701/217-782-9336

**KAREN'S KITCHEN & CATERING**

100 NORTH MAIN STREET  
STOCKTON, ILLINOIS

**SOUTH ELEVATION**

NOT TO SCALE

Drawn By:

BSL

Project No.:

9632

Date:

2 - 97

Sheet: Of:

2 2