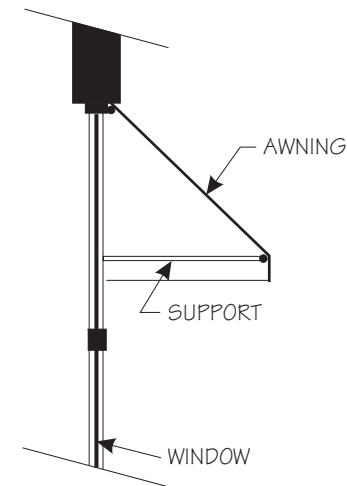




PROPOSED DESIGN



AWNING SECTION



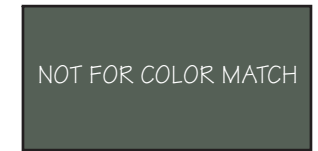
EXISTING CONDITION

PAINT COLORS:



TRIM:

GLIDDEN: OYSTER WHITE
(30YY 64/149)



TRIM:

GLIDDEN: NEW ENGLAND
GREEN
(30GG 09/106)

AWNING:



SUNBRELLA: MOSS/CANVAS
BLOCK STRIPE
(4917)

NOTE: The Illinois MAIN STREET Program, through the Illinois Historic Preservation Agency, has provided this free design assistance to qualified property/ business owners in the officially designated MAIN STREET project areas. The rendering on this sheet is a conceptual view of the facade renovation based on information supplied to the staff architect. Should obscured architectural details or problems be revealed during the work, the local project manager and/or the staff architect should be consulted.



ILLINOIS MAIN STREET

OFFICE OF LIEUTENANT GOVERNOR BOB KUSTRA
Architectural Services: Illinois Historic Preservation Agency
1 Old State Capitol Plaza/Springfield, Illinois 62701/217-782-9336

SCOTT'S GARDEN CENTER

210 WEST STATE STREET
O'FALLON, ILLINOIS

SOUTH ELEVATION
NOT TO SCALE

Drawn By:
BSL

Project No.:
9789

Date:
11 - 97

Sheet: Of:
1 1