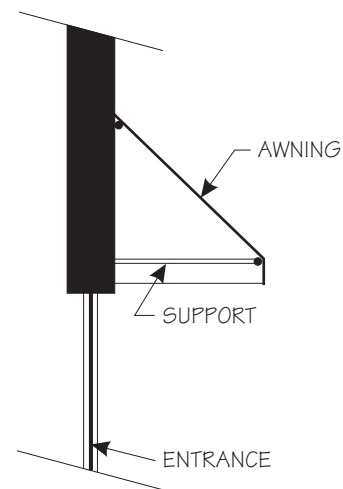




PROPOSED DESIGN



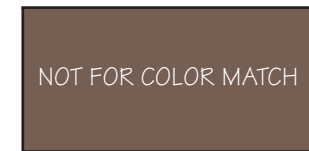
AWNING SECTION:

PAINT COLORS:



BASE:

GLIDDEN: LIGHT CAMEL
(40YY 56/155)



TRIM:

GLIDDEN: CLEVELAND BROWN
(80YR 09/163)



TRIM:

GLIDDEN: CAISSON GREEN
(45YY 24/158)

AWNING:



SUNBRELLA:

TAUPE - 5 BAR
(4907)

NOTE: The Illinois MAIN STREET Program, through the Illinois Historic Preservation Agency, has provided this free design assistance to qualified property/ business owners in the officially designated MAIN STREET project areas. The rendering on this sheet is a conceptual view of the facade renovation based on information supplied to the staff architect. Should obscured architectural details or problems be revealed during the work, the local project manager and/or the staff architect should be consulted.



ILLINOIS MAIN STREET

OFFICE OF LIEUTENANT GOVERNOR BOB KUSTRA
Architectural Services: Illinois Historic Preservation Agency
1 Old State Capitol Plaza/Springfield, Illinois 62701/217-782-9336

THRIFTWARE
O'FALLON, ILLINOIS

SOUTH ELEVATION
NOT TO SCALE

Drawn By:
BSL

Project No.:
9679

Date:
1-97

Sheet: Of:
1 1